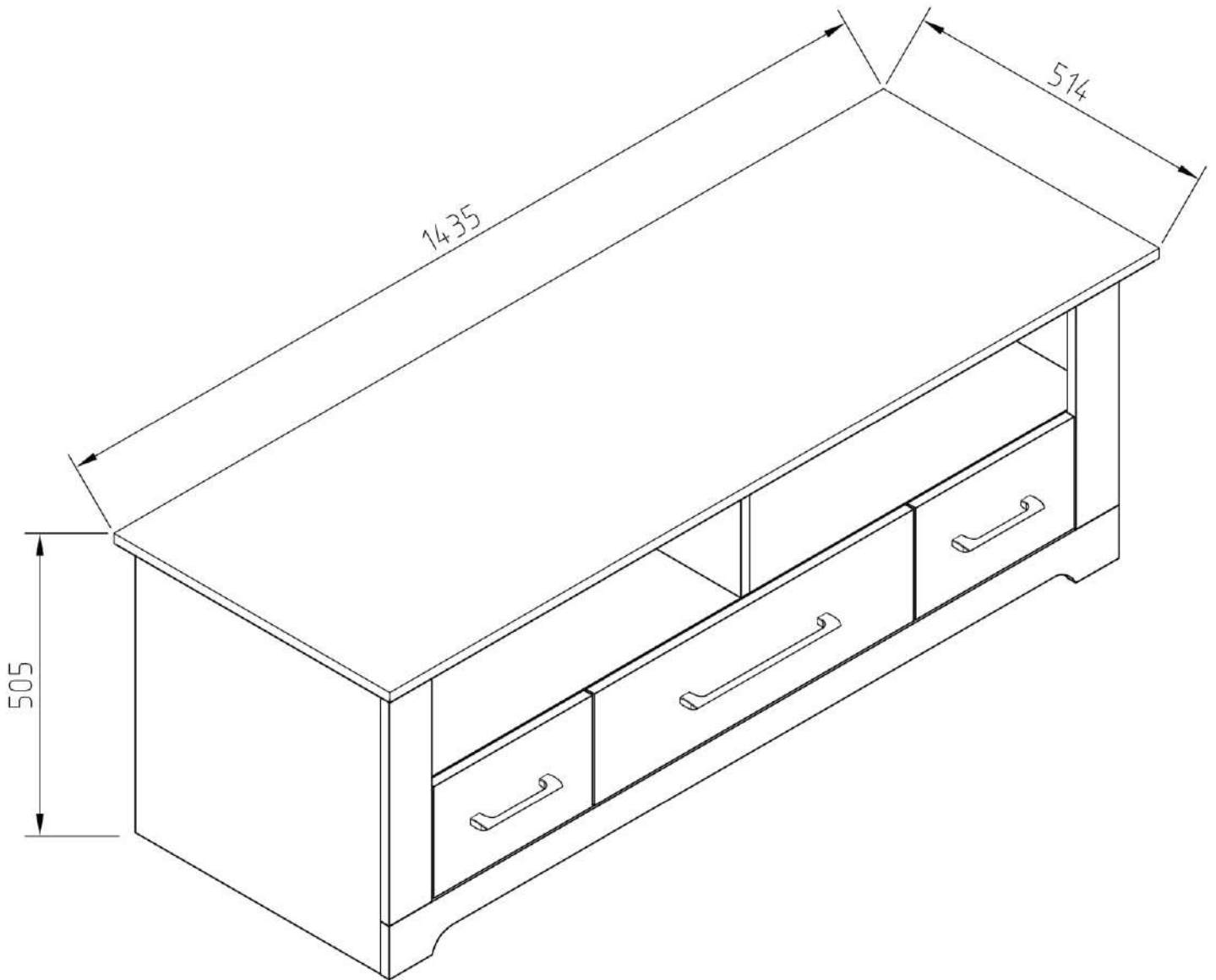
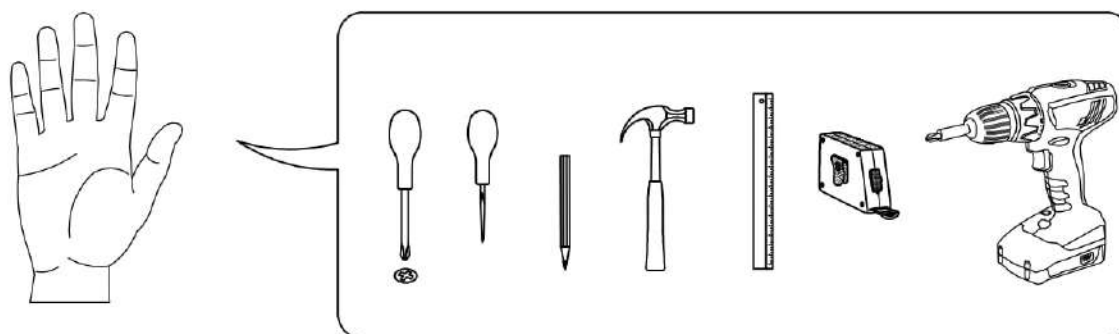




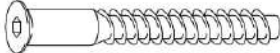








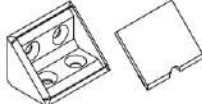


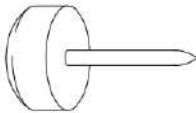

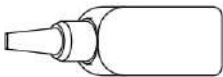


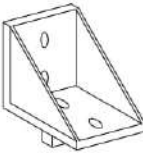
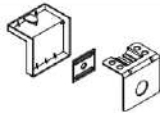



VALERIO

TV-STAND 3Dr



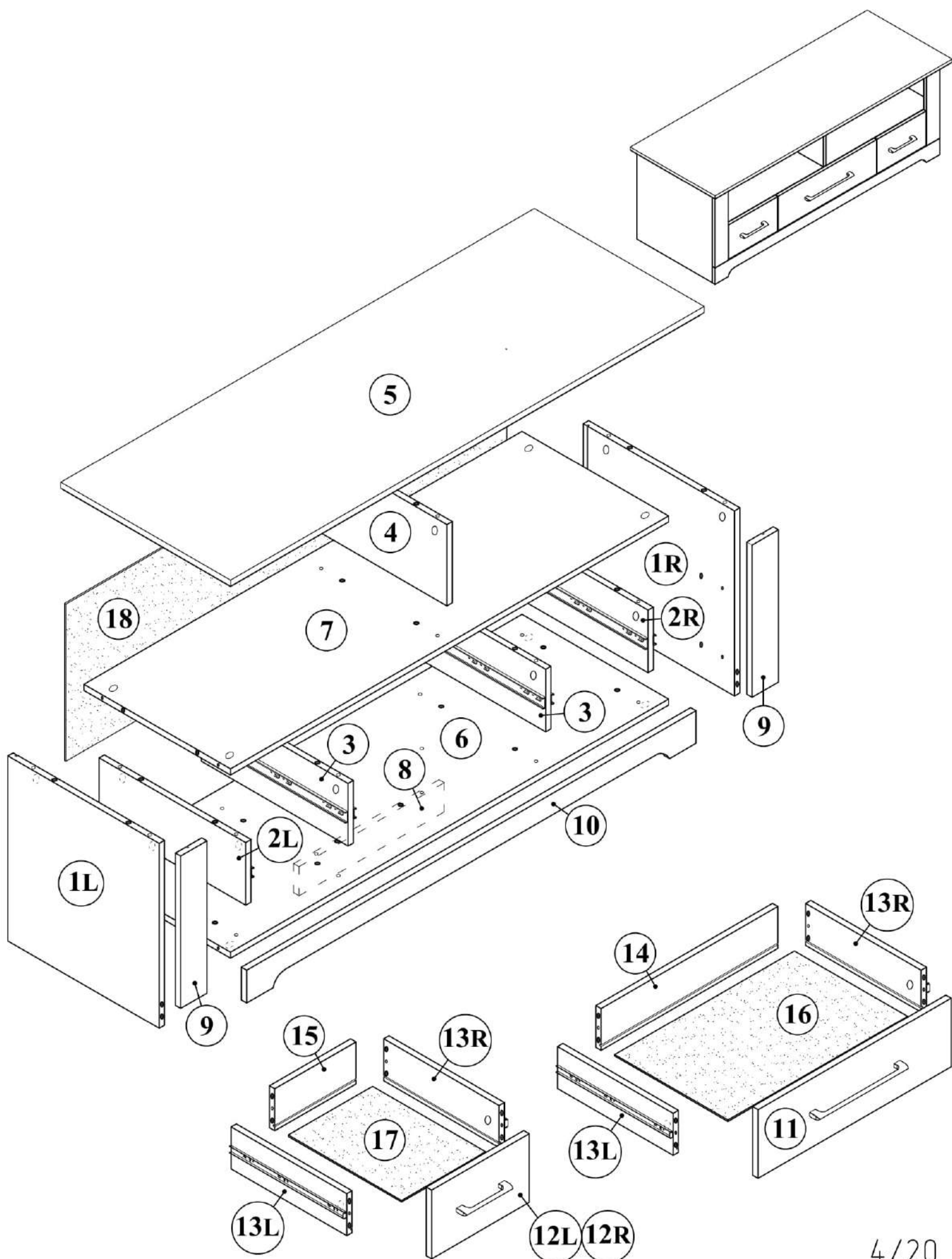


 A1 8*30mm x62	 B x18	 B1 6,3*50mm x18
 C1 5*30mm x28	 D x28	 D1 16mm x28
 E5 3,5*16 x64	 Ea4 4,2*65mm x1	 G6 M 4*22 x6
 H2 x14	 H5 8*50mm x1	 H12 20x20x33 x4
 I43 P-38 (128) x2	 I43 P-38 (256) x1	 K4 x6
 M2 L-400mm x3	 R1 x1	 R3 1.4*25mm 0.010kg
 R4 N°4 x1	 S13 x4	 S14 K-06 x1

No	a*b	x	Nº→...
1L	485x458	x1	1/1
1R	485x458	x1	1/1
2L	164x444	x1	1/1
2R	164x444	x1	1/1
3	164x444	x2	1/1
4	213x444	x1	1/1
5	1435x514	x1	1/1
6	1327x444	x1	1/1
7	1327x444	x1	1/1
8	440x76	x1	1/1
9	399x80	x2	1/1
10	1361x86	x1	1/1
11	596x180	x1	1/1
12L	296x180	x1	1/1
12R	296x180	x1	1/1
13L	400x110	x3	1/1
13R	400x110	x3	1/1
14	525x110	x1	1/1
15	236x110	x2	1/1
16	534x393	x1	1/1
17	245x393	x2	1/1
18	1336x412	x1	1/1
		x1	1/1





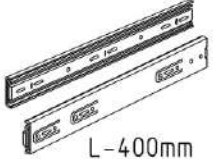
VALERIO

TV-STAND 3Dr

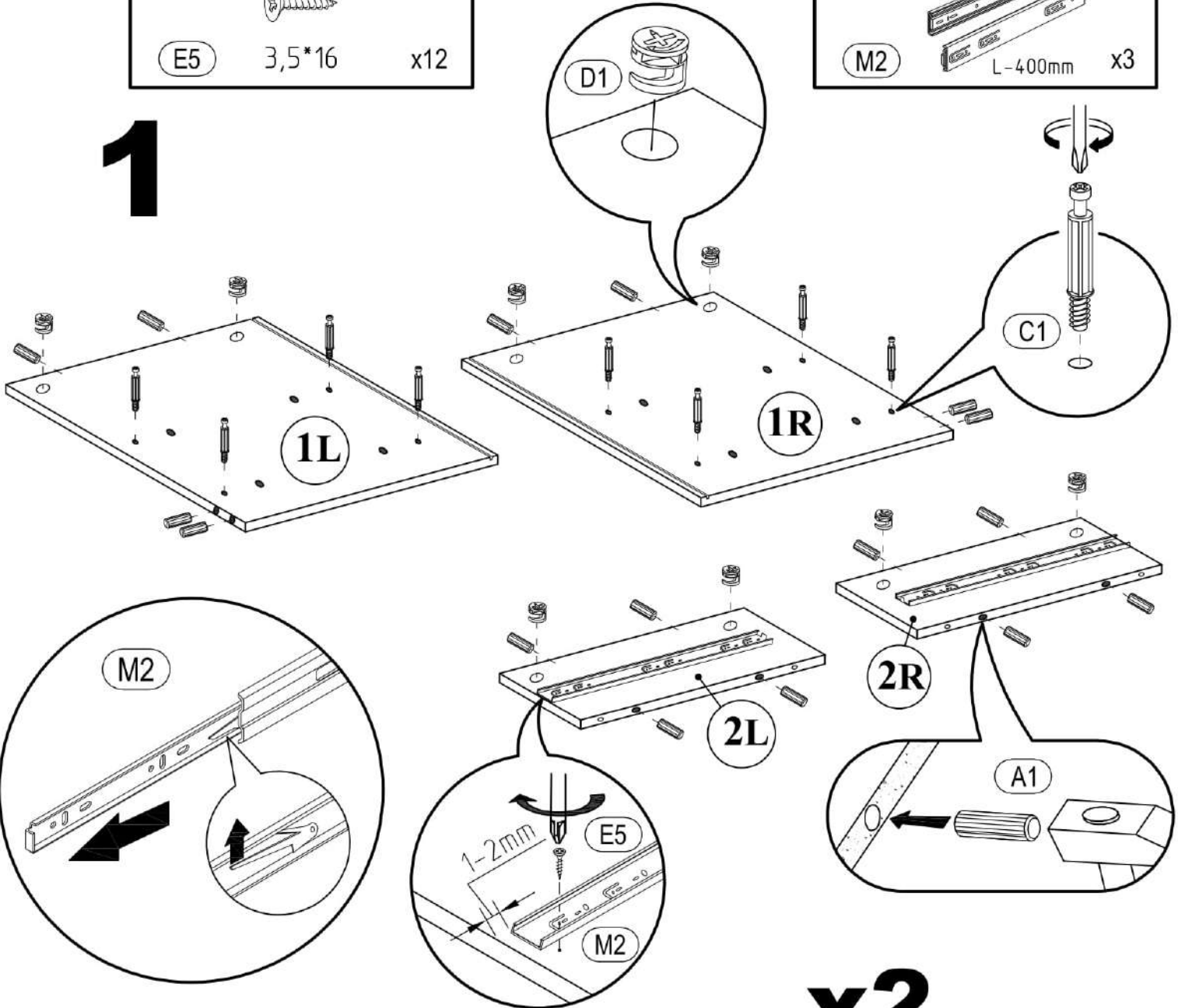


VALERIO

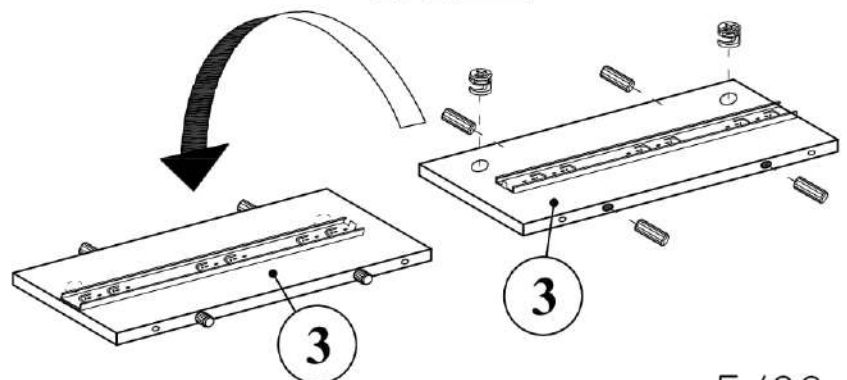
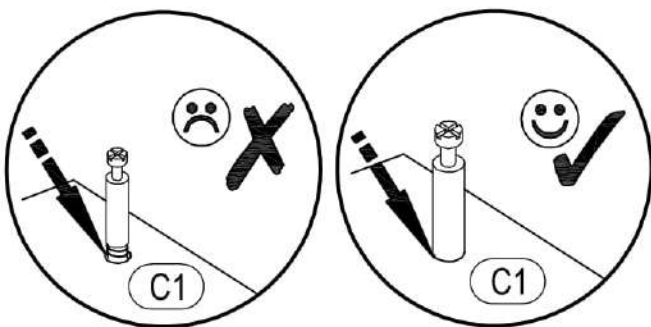
TV-STAND 3Dr

 A1 8*30mm x24	 C1 5*30mm x8	 D1 16mm x12
 E5 3,5*16 x12	 M2 L-400mm x3	

1


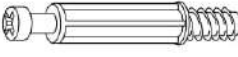



x2

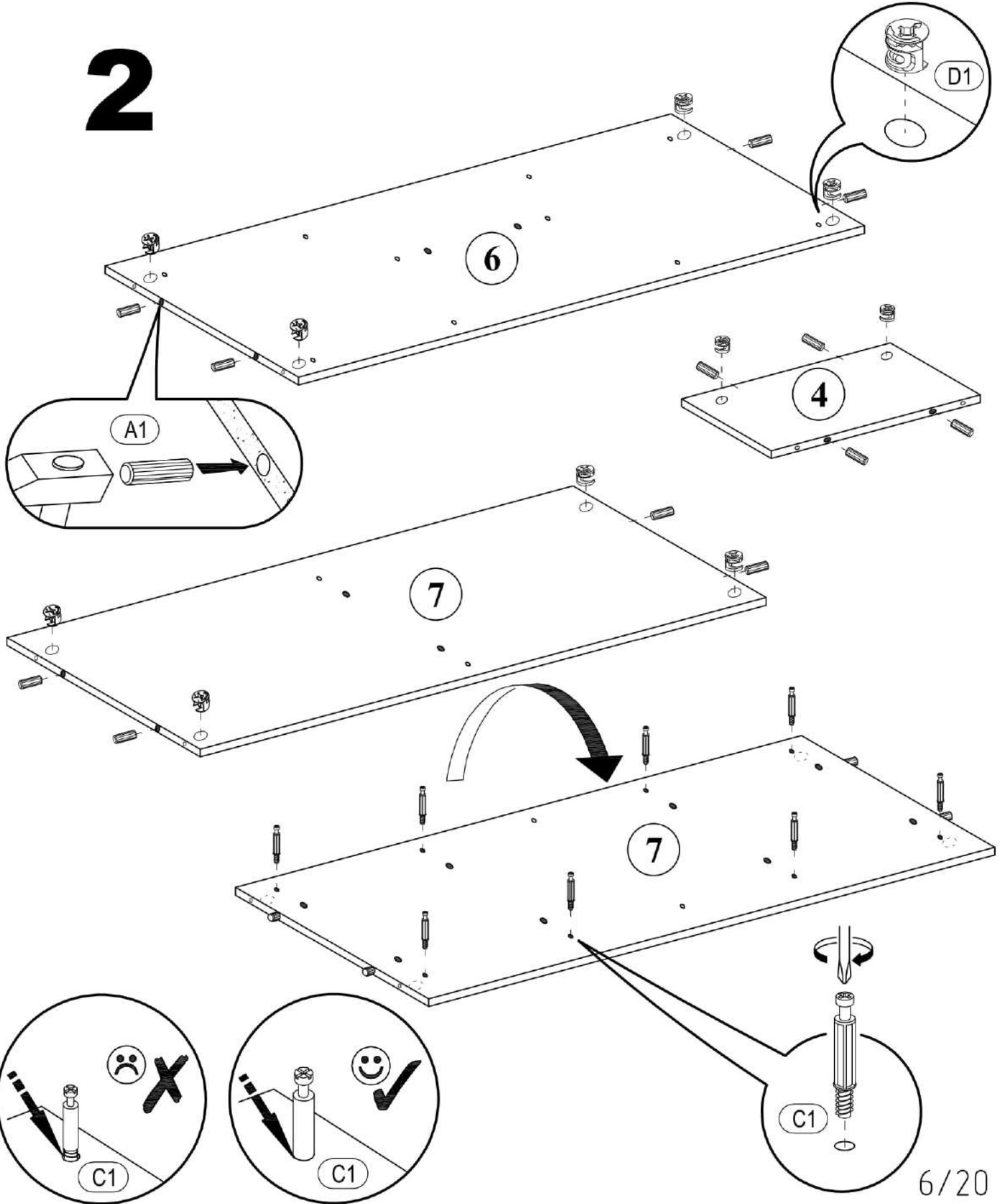




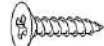
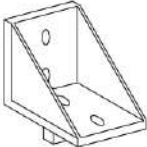
VALERIO

TV-STAND 3Dr

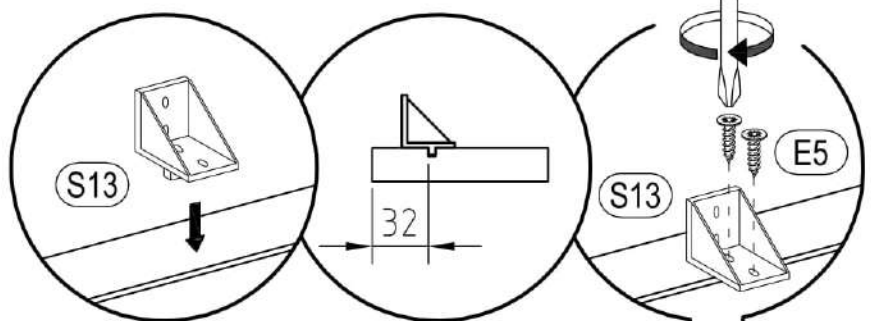
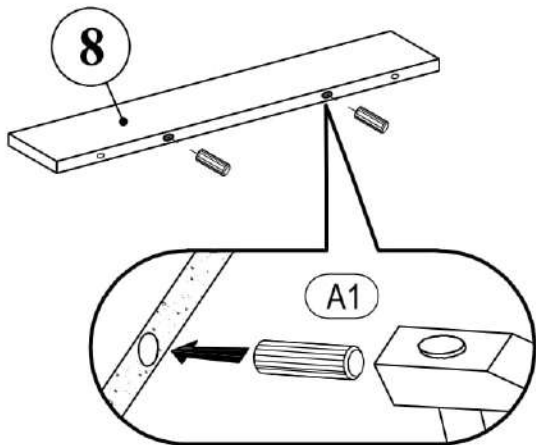
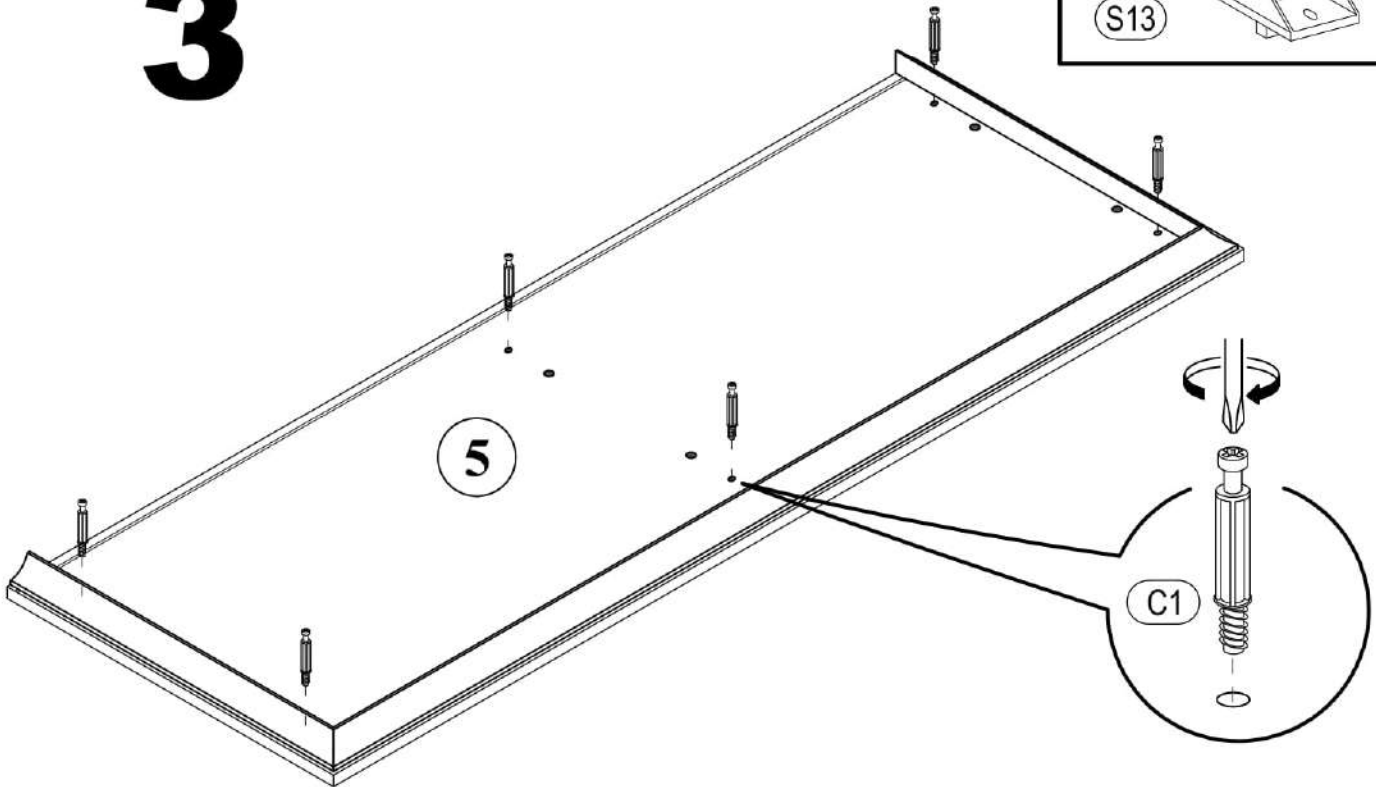
 A1 8*30mm x12	 C1 5*30mm x8	 D1 16mm x10
--	---	--

2

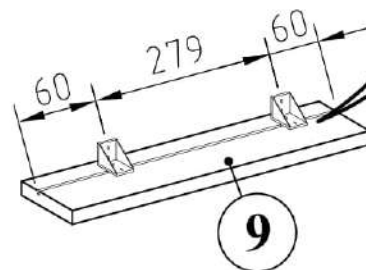
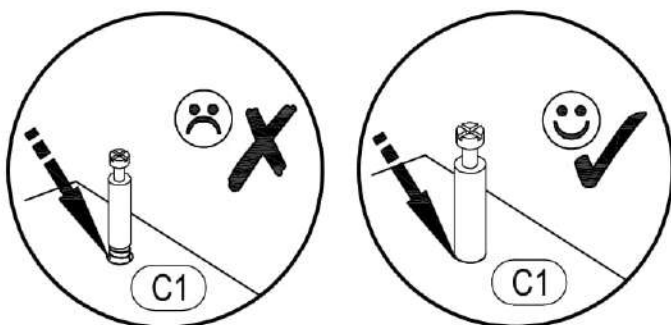


 A1 8*30mm x2	 C1 5*30mm x6	 E5 3,5*16 x8
		 S13 x4



3

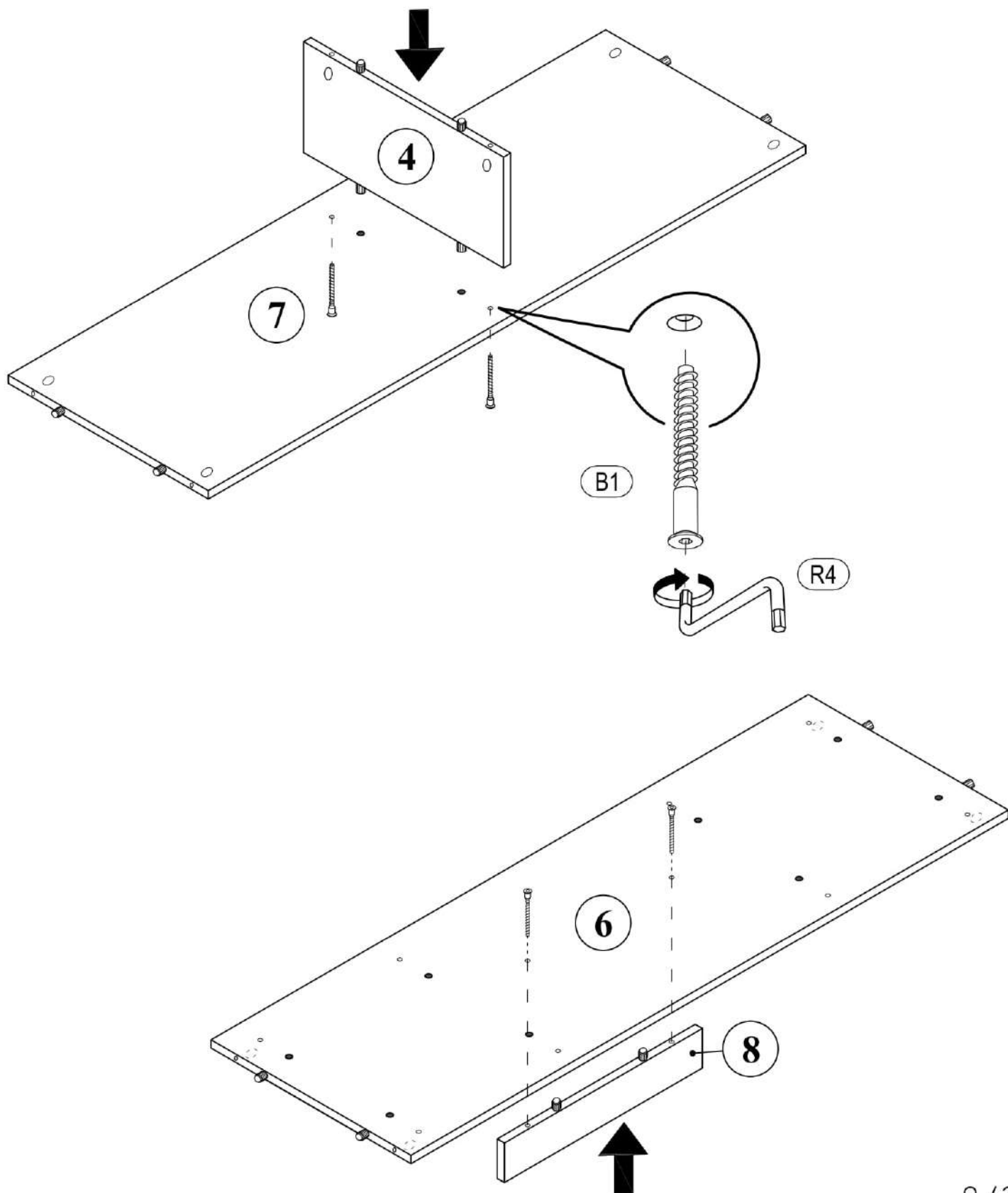


x2





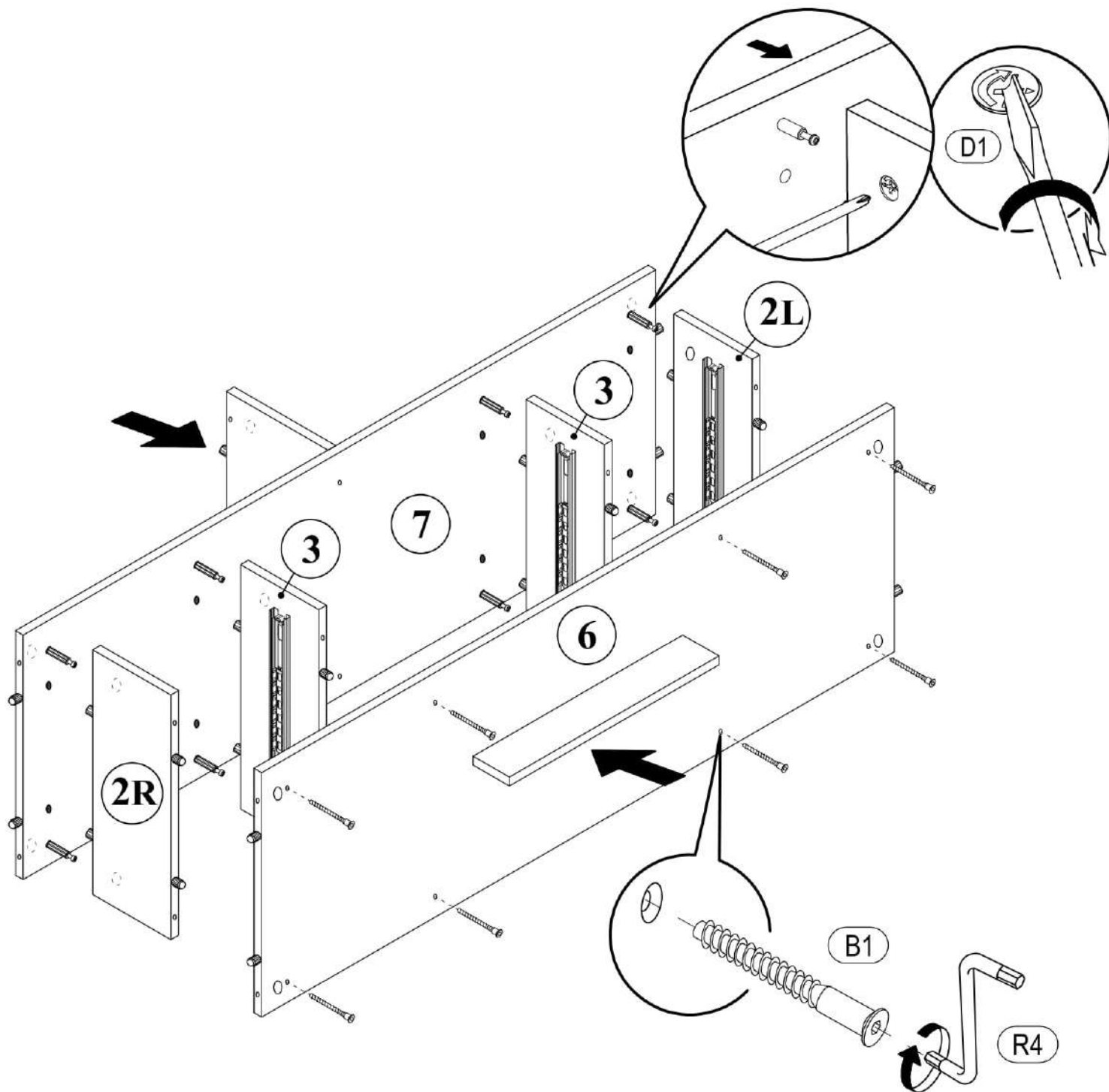
4

	
(B1) 6,3*50mm x4	(R4) N°4 x1



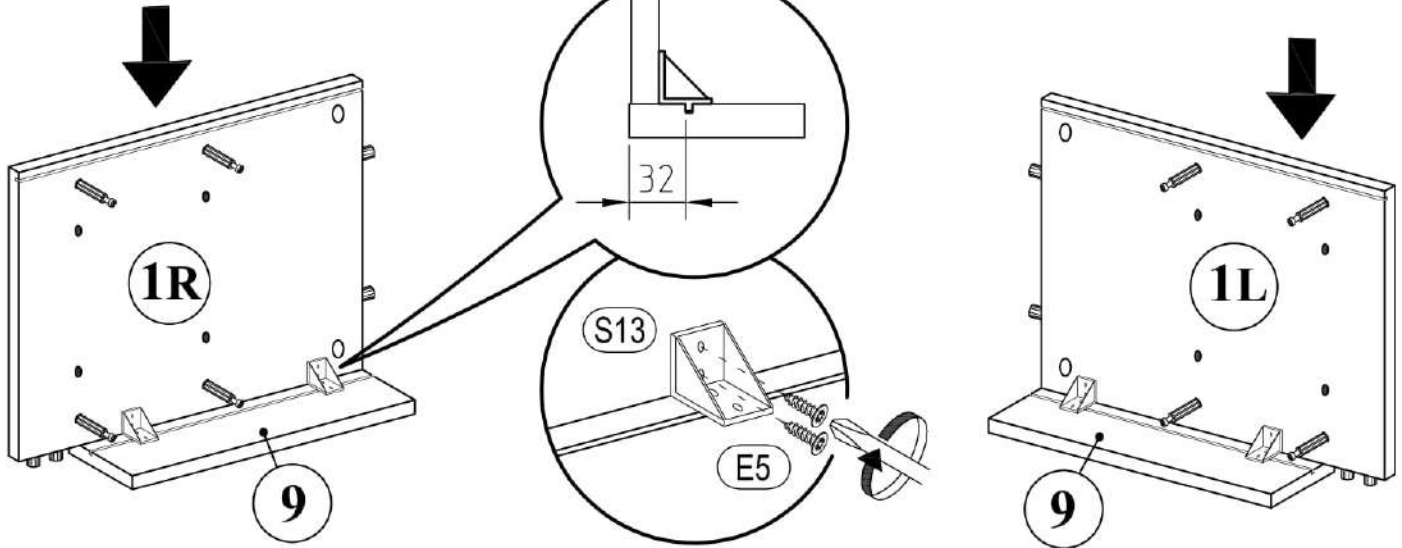
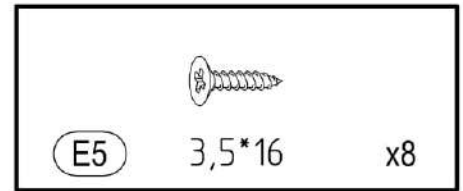
5

	
B1 6,3*50mm x8	R4 N°4 x1

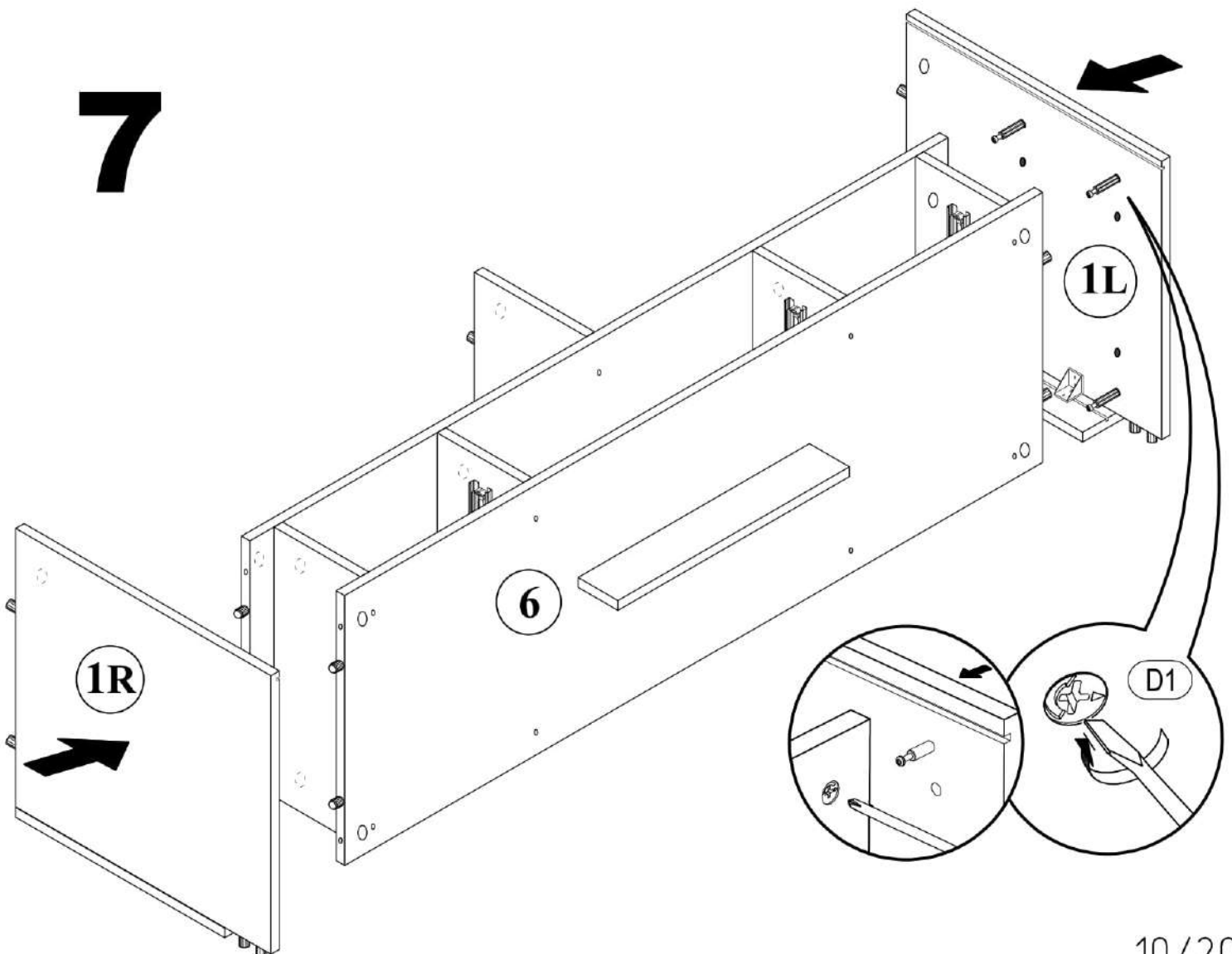


VALERIO
TV-STAND 3Dr

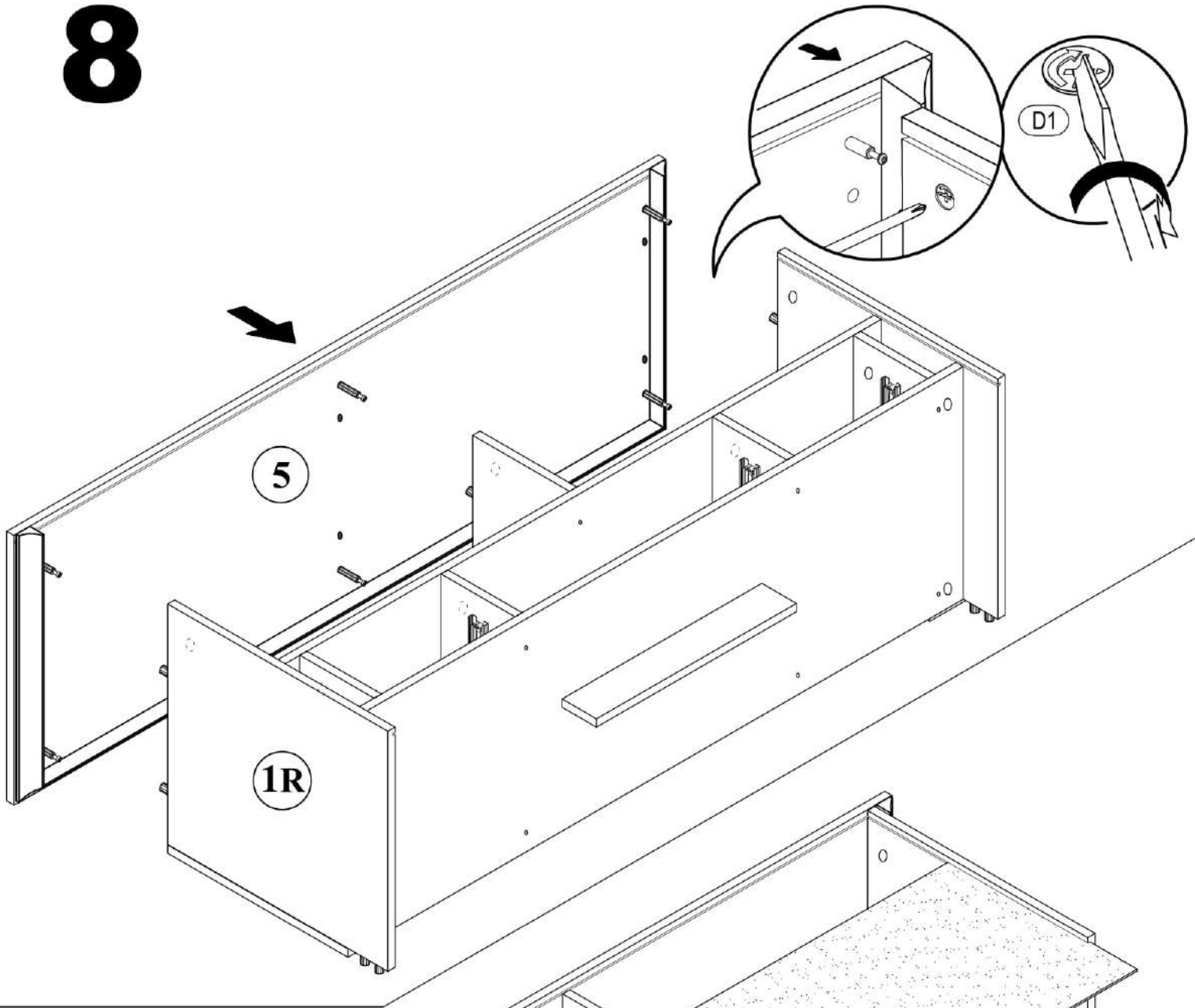
6



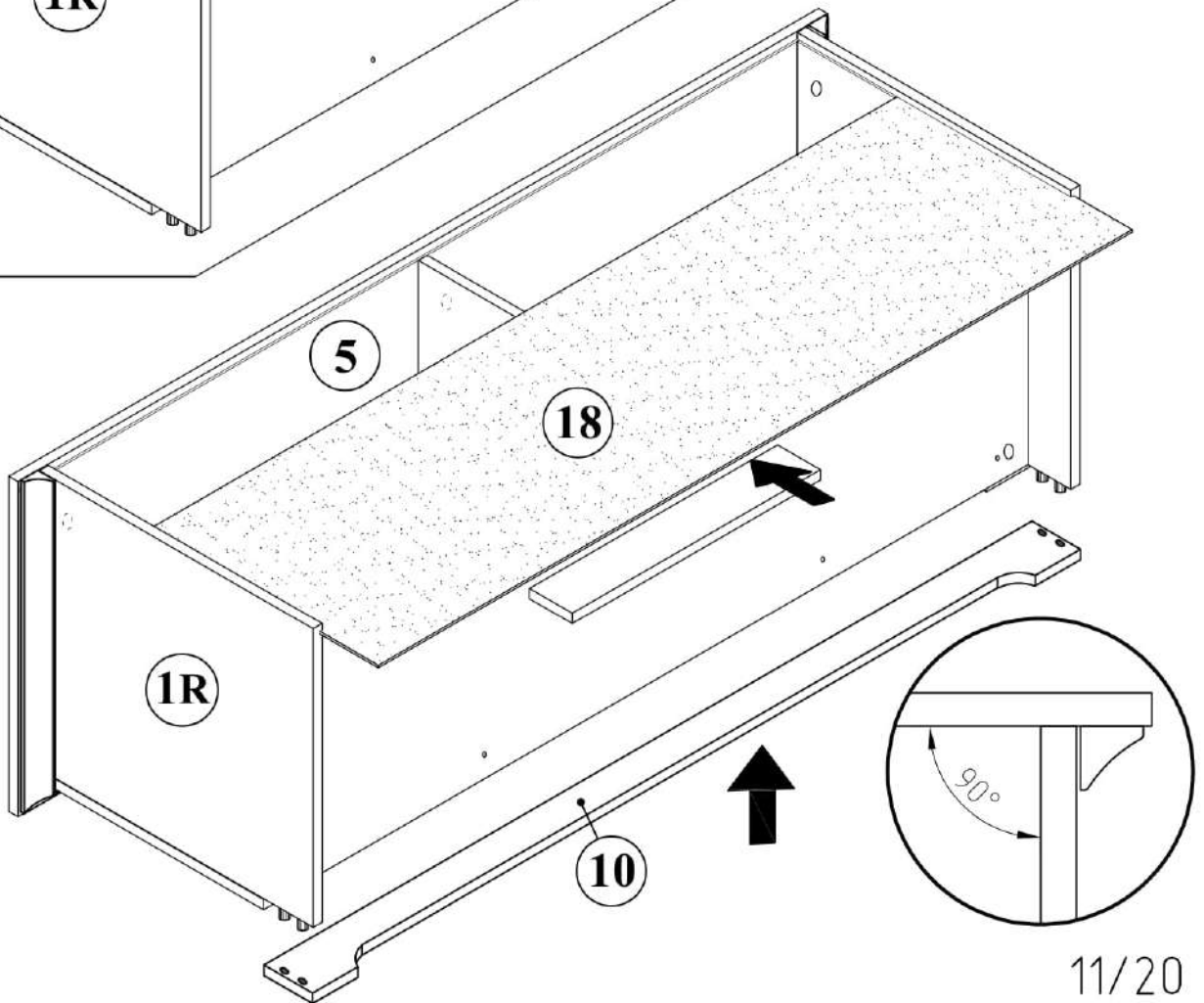
7



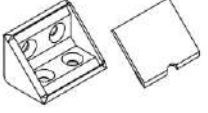
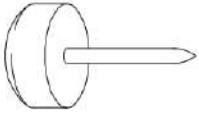



8

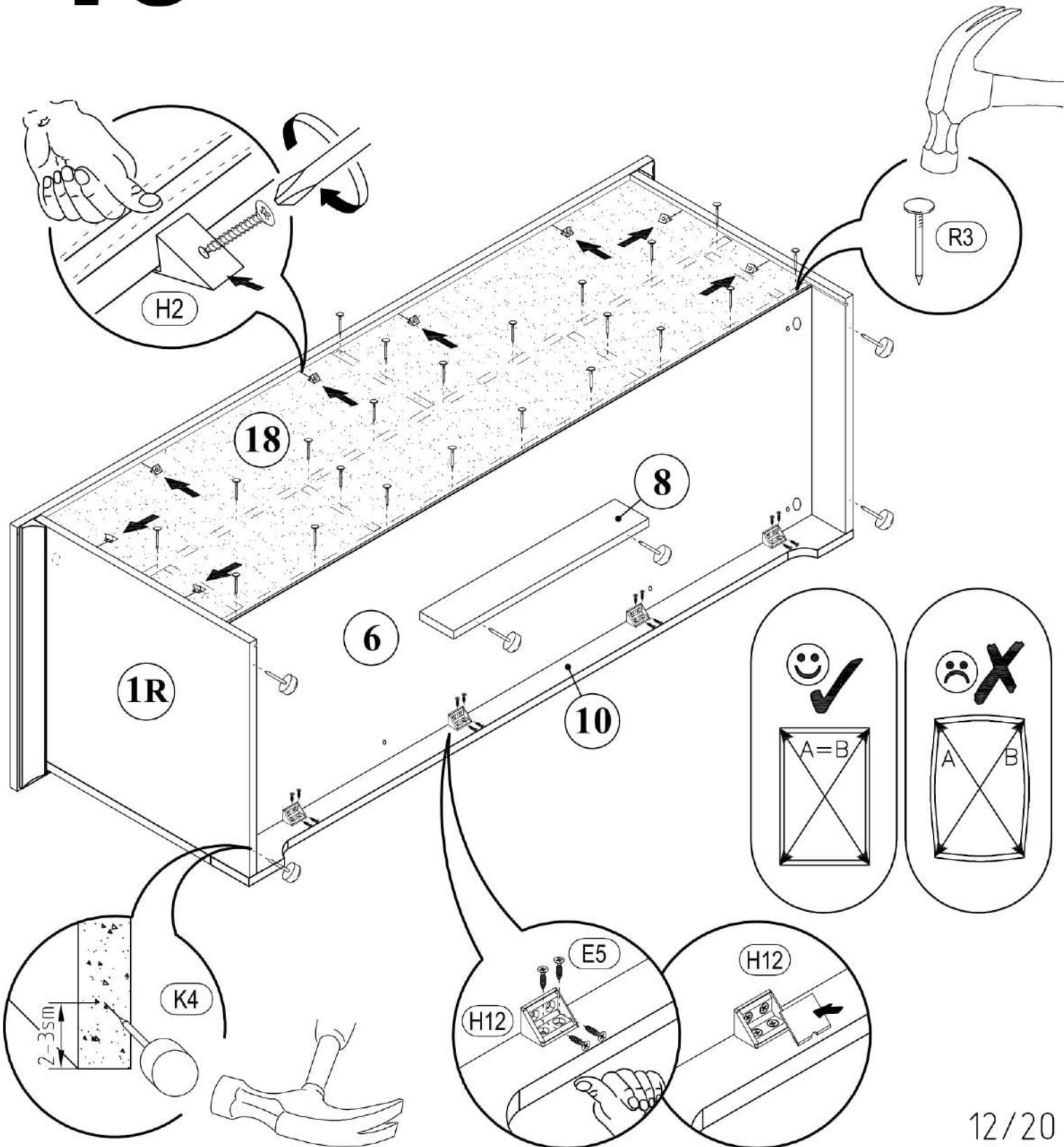


9



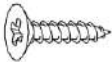



 (E5) 3,5*16 x16	 (H2) x8	 (H12) 20x20x33 x4
(K4)  x6	(R3)  1.4*25mm 0.010kg	

10

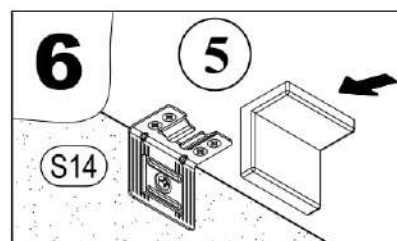
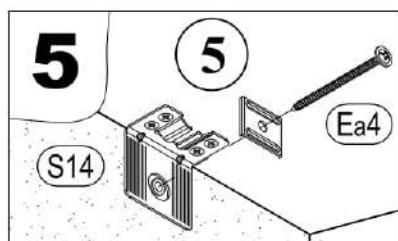
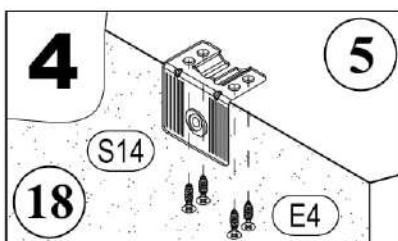
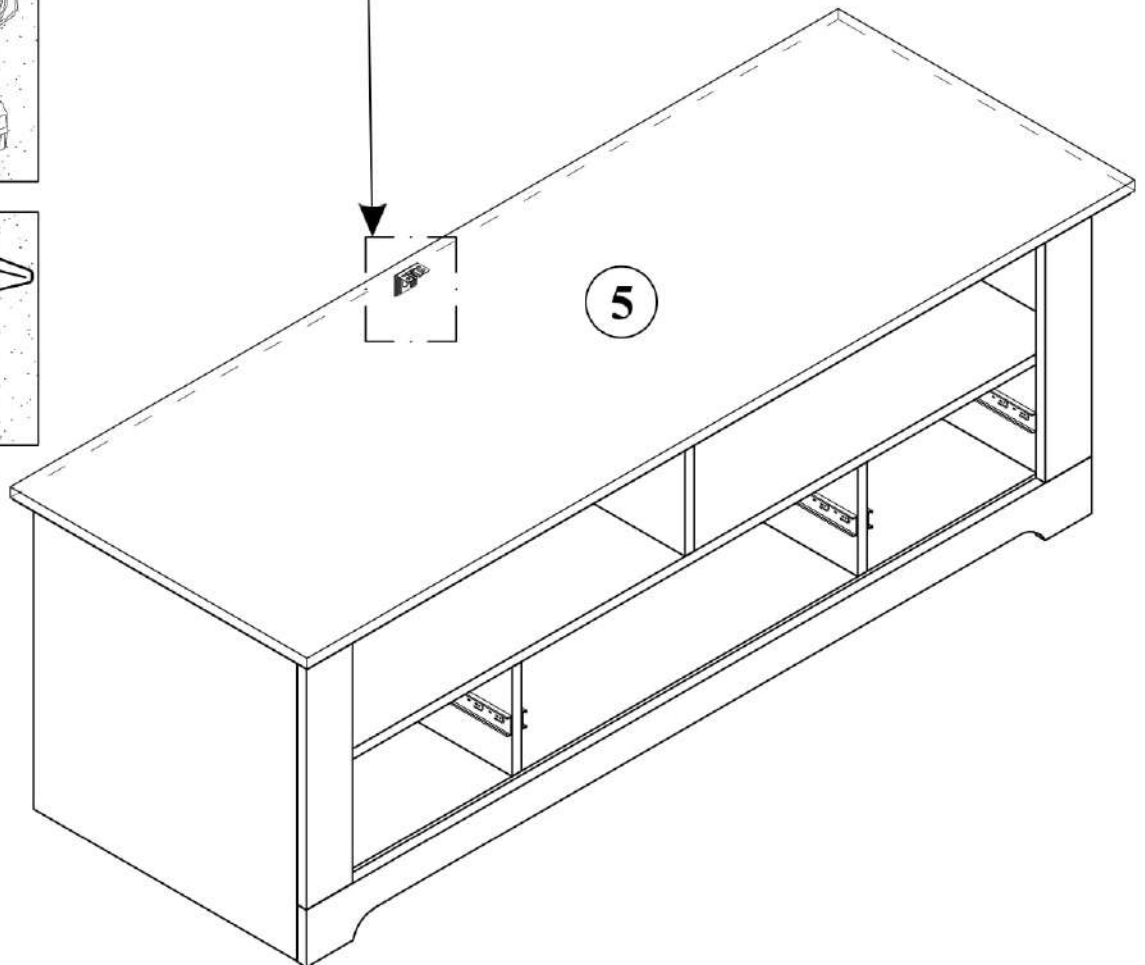
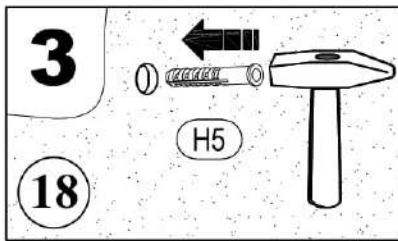
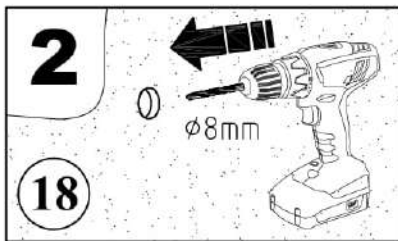
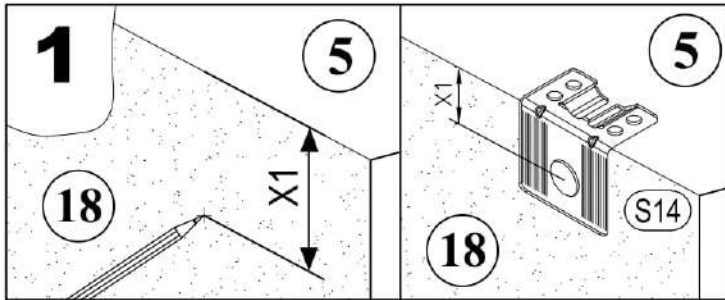


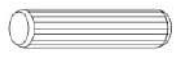
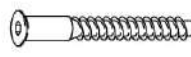


VALERIO

TV-STAND 3Dr

 E4 3,5*16mm x4	 Ea4 4,2*65mm x1	 H5 8*50mm x1
		 S14 K-06 x1

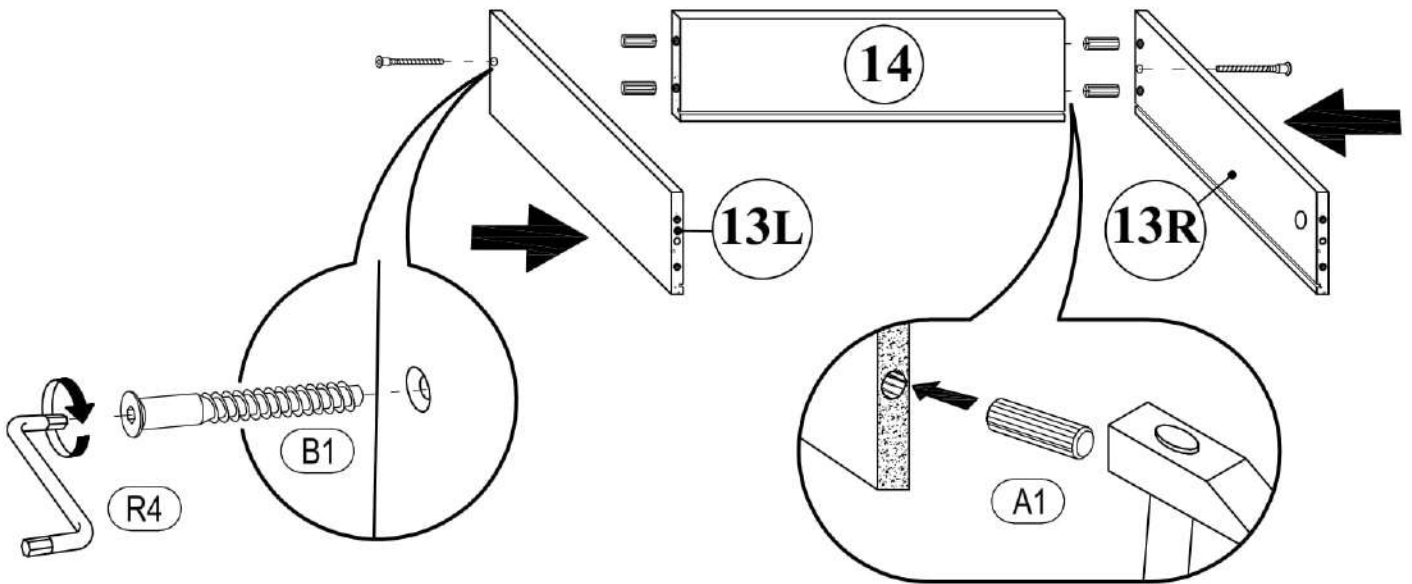
11



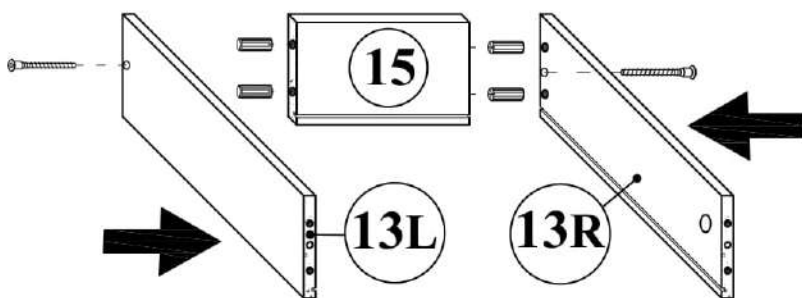
 A1 8*30mm x12	 B1 6,3*50mm x6	 C1 5*30mm x2
		 R4 N°4 x1

12

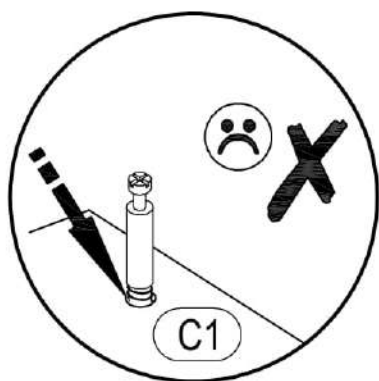
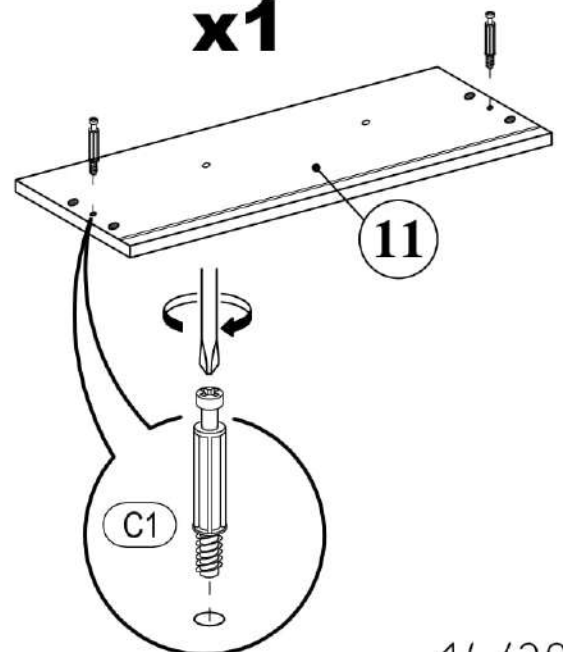
12.1 x1







12.2 x2



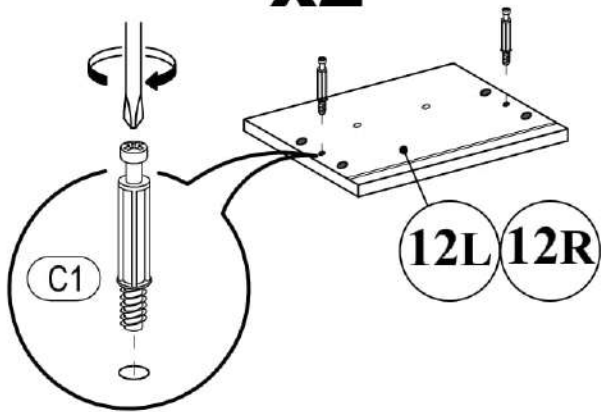
12.3 x1



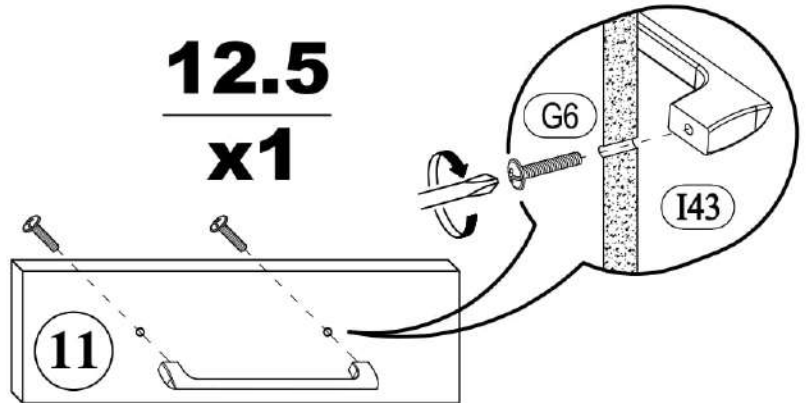
 (C1) 5*30mm x4	 (G6) M 4*22 x6	 (I43) P-38 (128) x2
		 (I43) P-38 (256) x1

12

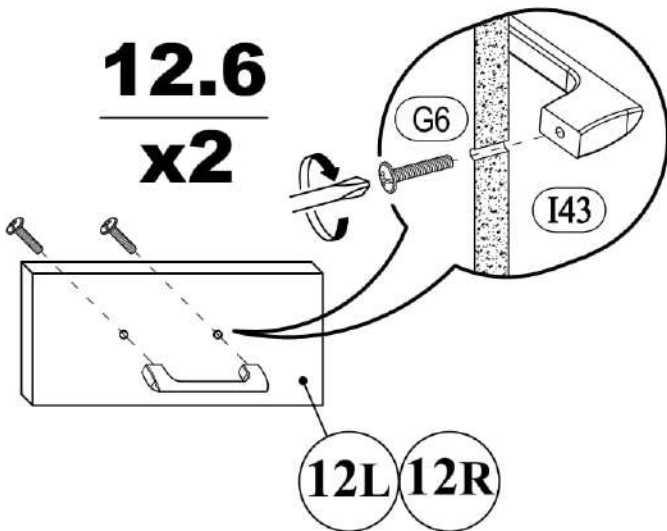
12.4 x2



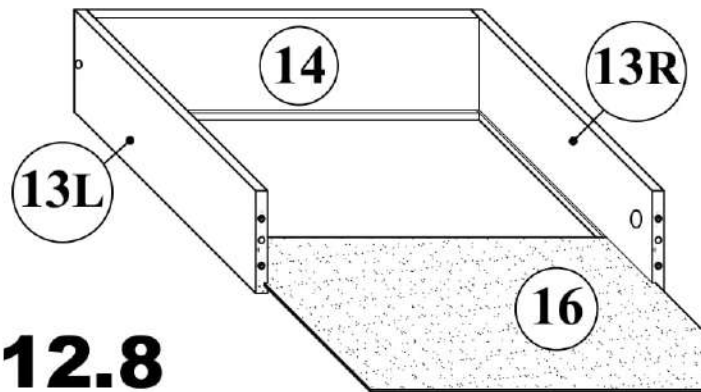
12.5 x1



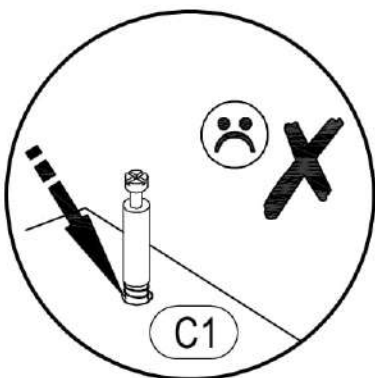
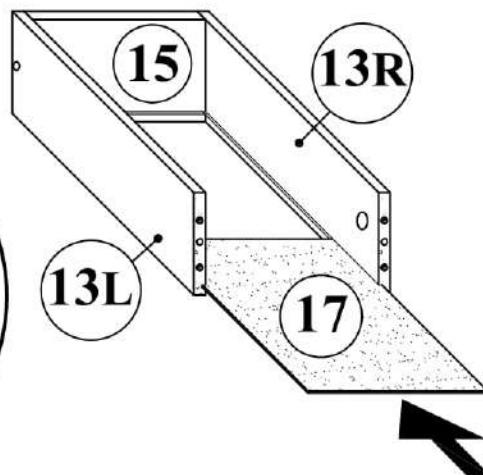
12.6 x2



12.7 x1



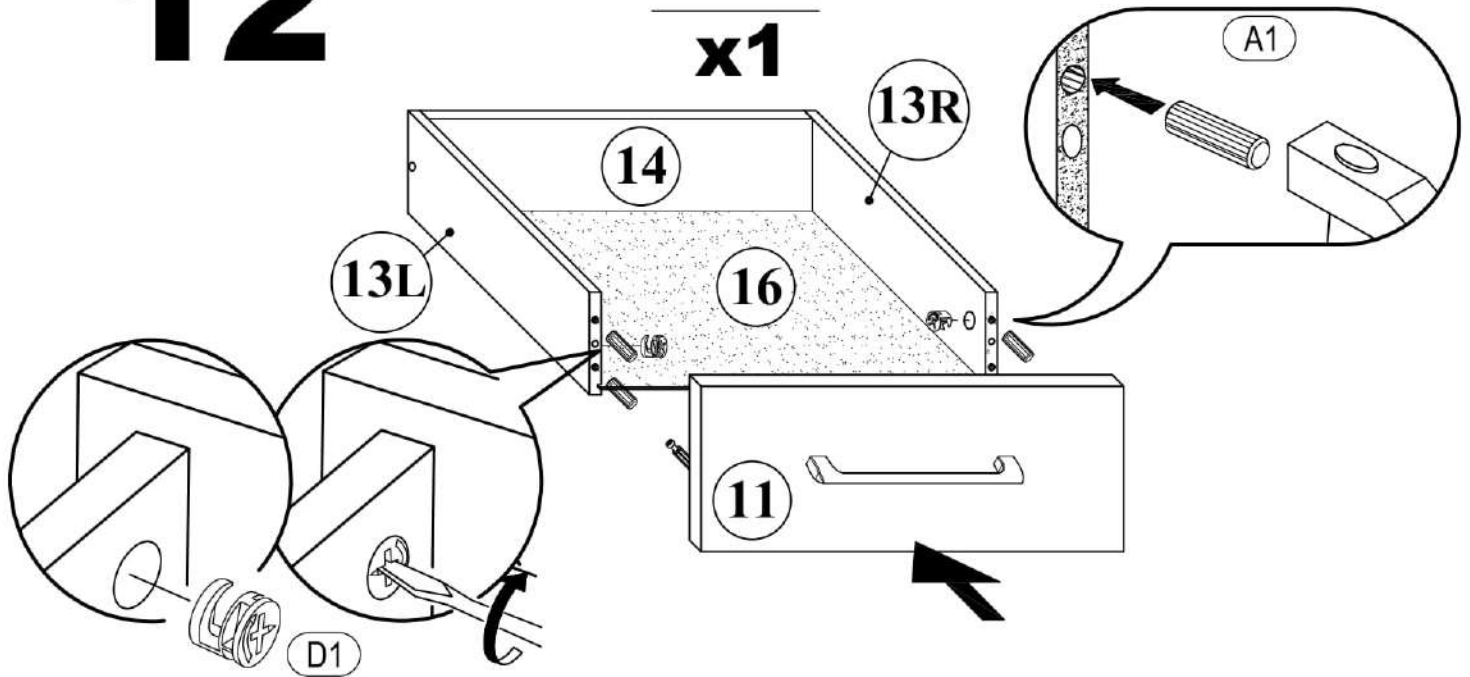
12.8 x2



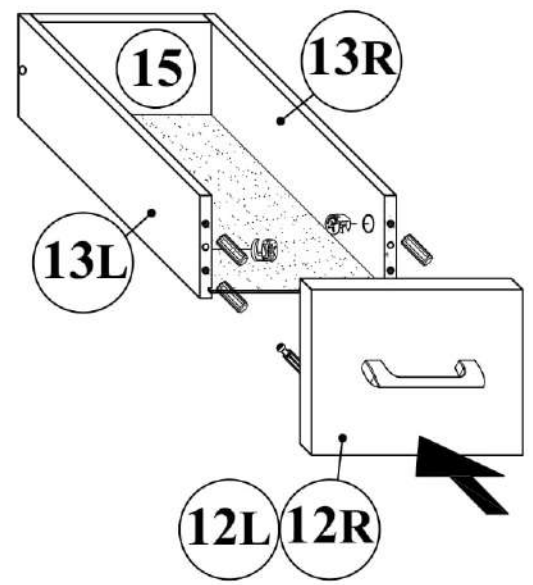
 A1 8*30mm x12	 D1 16mm x6	 H2 x4
---	--	---

12

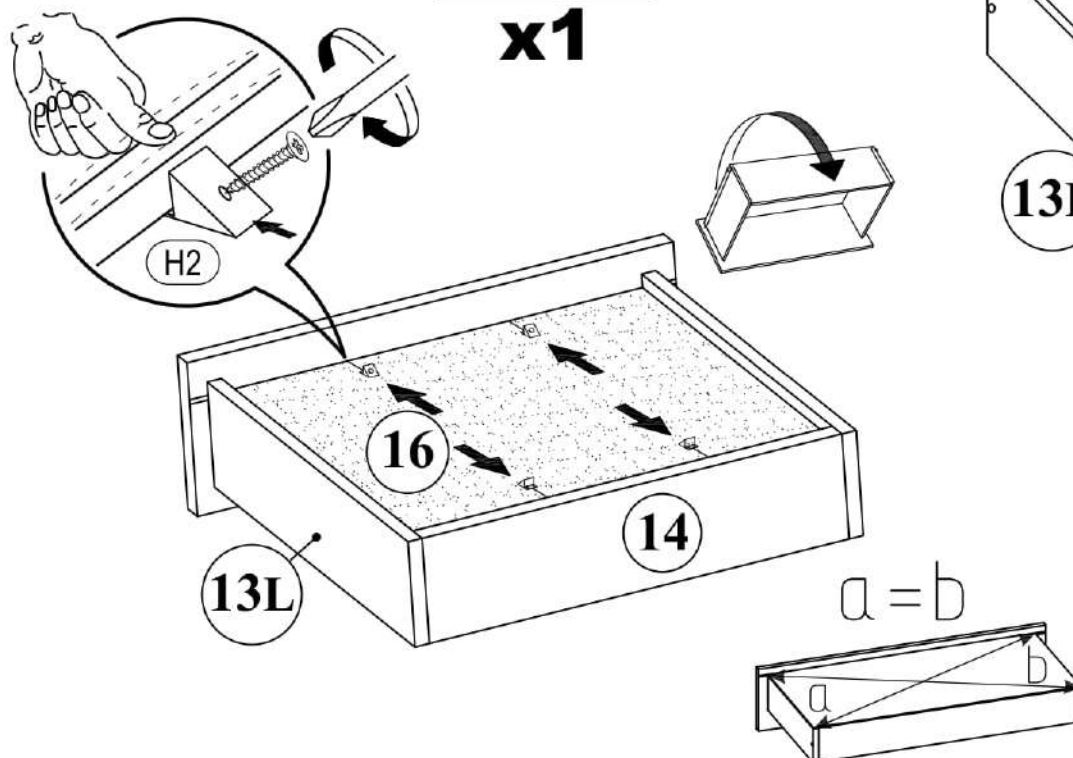
12.9 x1

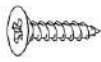




12.10 x2

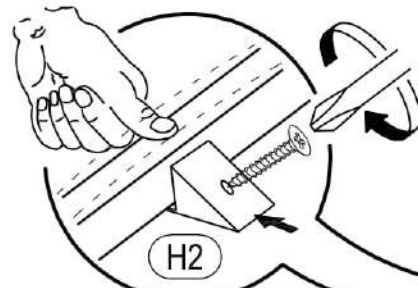


12.11 x1

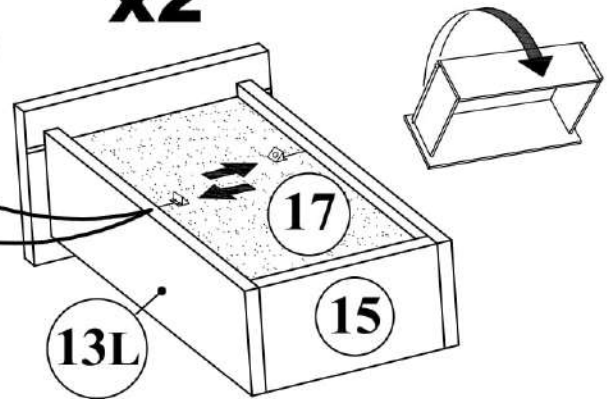
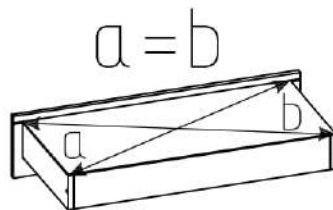


 E5 3,5*16mm x12	 H2 x4	 M2 L-400mm x3
---	---	---

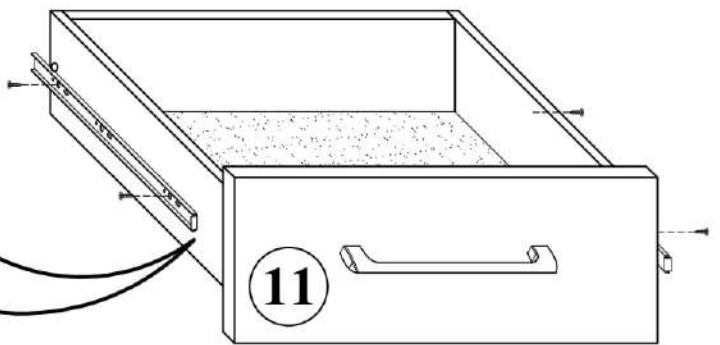
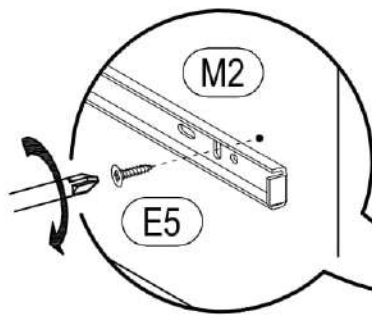
12



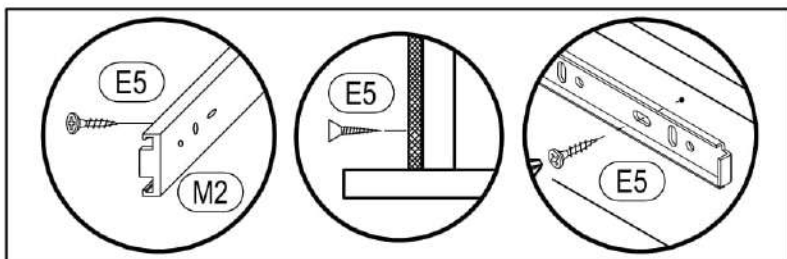
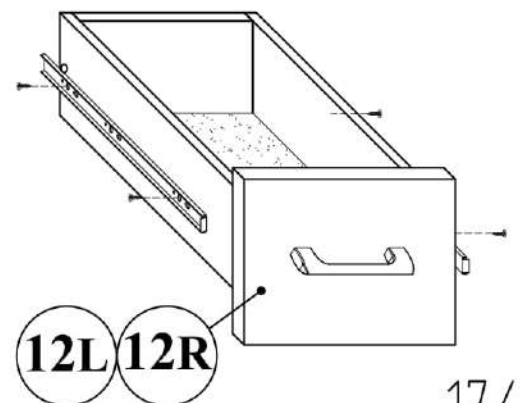
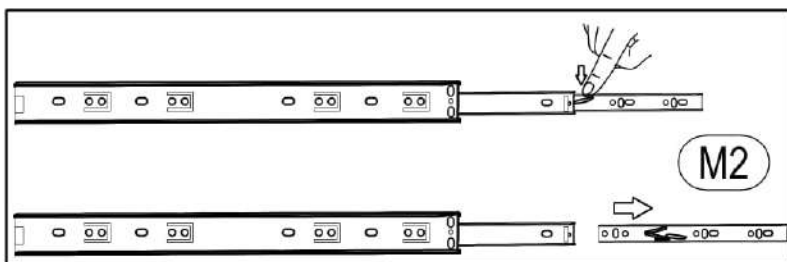
12.12
x2





12.13
x1



12.14
x2



 B	x18	 D	x26
--	-----	--	-----

12

